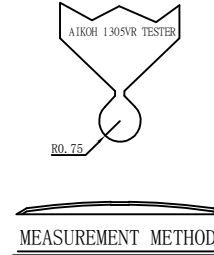
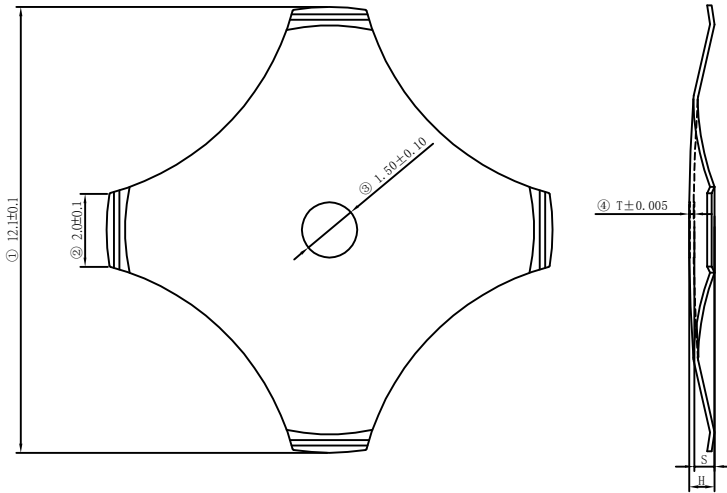


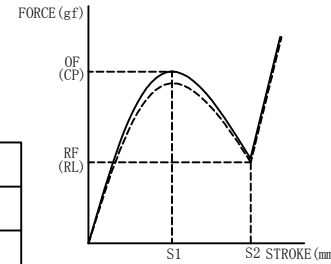
Dome reference ×××	Trip Force±20(g)			Trip Force±30(g)			Trip Force±40(g)	Trip Force±50(g)
	160	180	200	220	250	280	340	400
Height H±0.05(mm)	0.44	0.45	0.46	0.47	0.54	0.57	0.59	0.61
Click ratio(%)±15	60							

REVISIONS HISTORY				精度	公差
REV	DESCRIPTION	DATE	MODIFIED BY	CLASS	TOLERANCE
				X.X	±0.30
				X.XX	±0.10
				X.XXX	±0.05
				ANGLES	±0.5°



寿命测试规范:
Specification for life testing
测试头为直径3.0mm铜质平头, 打击力度为2倍之
Copper, 3.0mm cylinder flat head, Hit force is 2 times
弹片标准荷重规格(超过250gf的弹片规格, 打击力度选择
standard Froce specification(Over 250gf, Hit force
500gf), 打击位置为弹片正中心,
500gf). Right in the center of the Dome.
打击速度为120次/分, 测试治具底部为平面;
Speed:120cycles/min, Height of fixture: 0mm

YY	Plating	Thickness
DN	Nickel	0.2um
DJ	Gold	0.05um
DY	Silver	0.5um



FORCE CHARACTERISTICS

OF: OPERATING FORCE (gf)
CP: COMPRESSION PEAK POINT
RF: RETURN FORCE (gf)
RL: RELEASE LOW POINT
S: STROKE (mm)
CR: CLICK RATIO
CR= [(OF-RF)/OFx100%]
RESISTANCE: ≤1Ω

麦拉PET+锅仔总高度=产品厚度。



代号说明 Code description	
A	十字形 Cross
1D	单点型 1 dimple
DN	镀镍 Ni
J	散装包装 Bulk packing

序号 Item	产品型号 Product model	材料厚度 Materials T (mm)	动作荷重 Operating Force (g)	手感率 Click Ratio (%)	弹片高度 Height H (mm)	行程 Travel S (mm)	动作寿命 Operating life (cycles)
1	SD-X122A18-1D-DJ-J	0.10	180±20	60±15	0.55±0.05	0.45±0.05	1000000

his document is the property of Zigeng. It may not be reproduced without the prior written permission of the owner.

		图号 Dwg NO	122A181DDJ-000
邦斯达 深圳市子庚科技有限公司 TRIGONOMETRY			
核 准 APPROVED	王瑾雅	物料号 MATERIAL NO	SUS304
核 对 CHECKED		产品名称 PRODUCT NAME	金属弹片 METAL DOME
制 图 DRAWN	张鸿标	工作温度 OPERATING TEMPERATURE	+50℃ -40℃
日 期 DATE	2024.02.29	贮存温度 DEPOSIT TEMPERATURE	+100℃ -55℃
		比例 SCALE	10:1
		单位 UNIT	毫米 MM
		版次 No.REV.	A0
		页码 Page	1/1